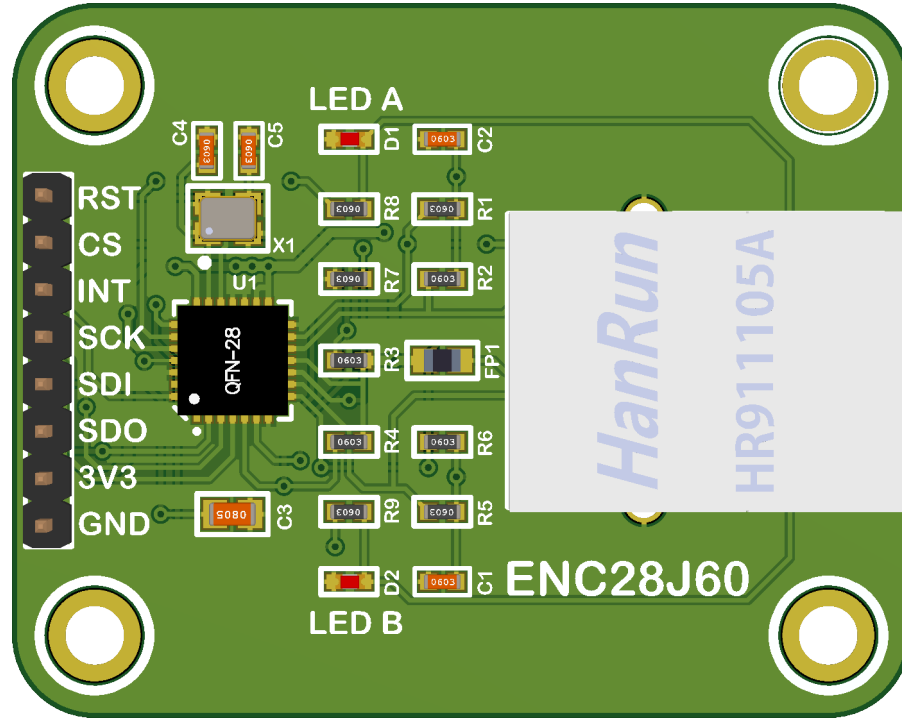
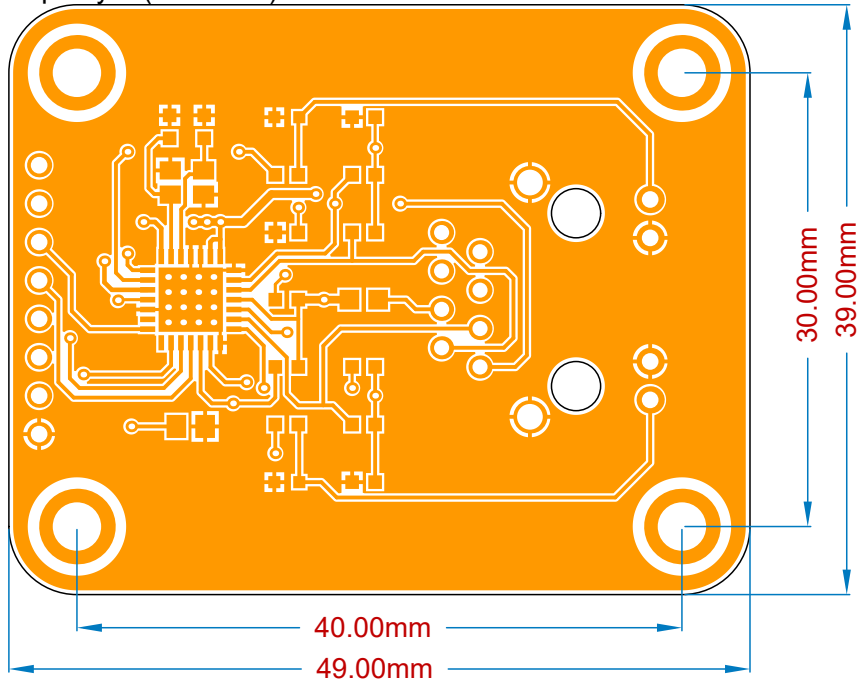


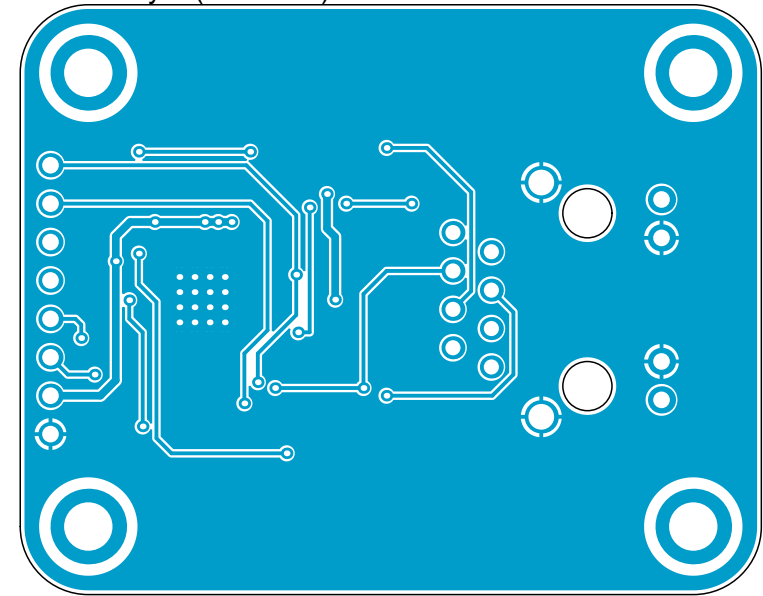
Realistic View



Top Layer (Scale 2:1)



Bottom Layer (Scale 2:1)



A

B

C

D

E

1

1

2

2

3

3

4

4

A

B

C

D

E

Altium Designer Projects
www.altiumdesignerprojects.com