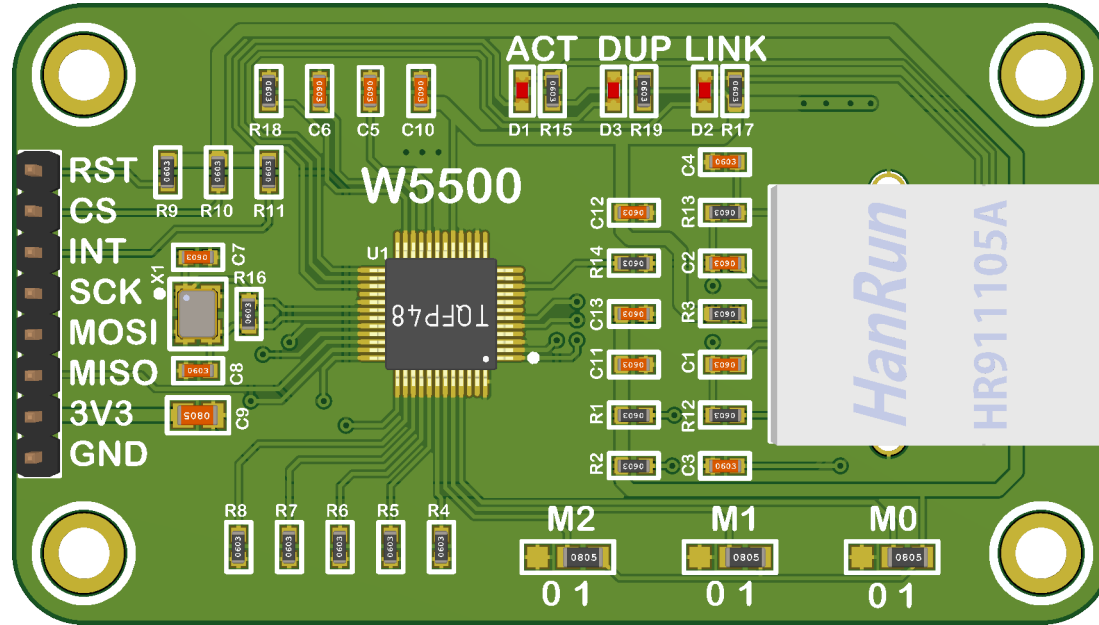


Realistic View



A

B

C

D

E

1

1

2

2

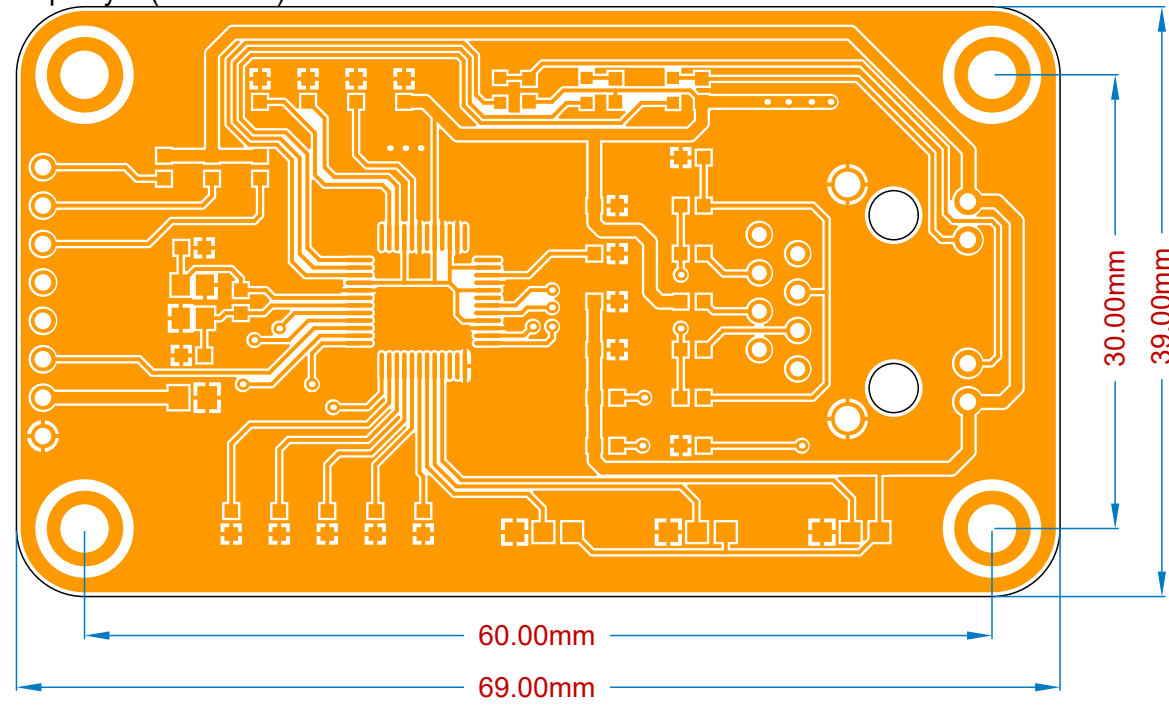
3

3

4

4

Top Layer (Scale 2:1)



A

B

C

D

E

A

B

C

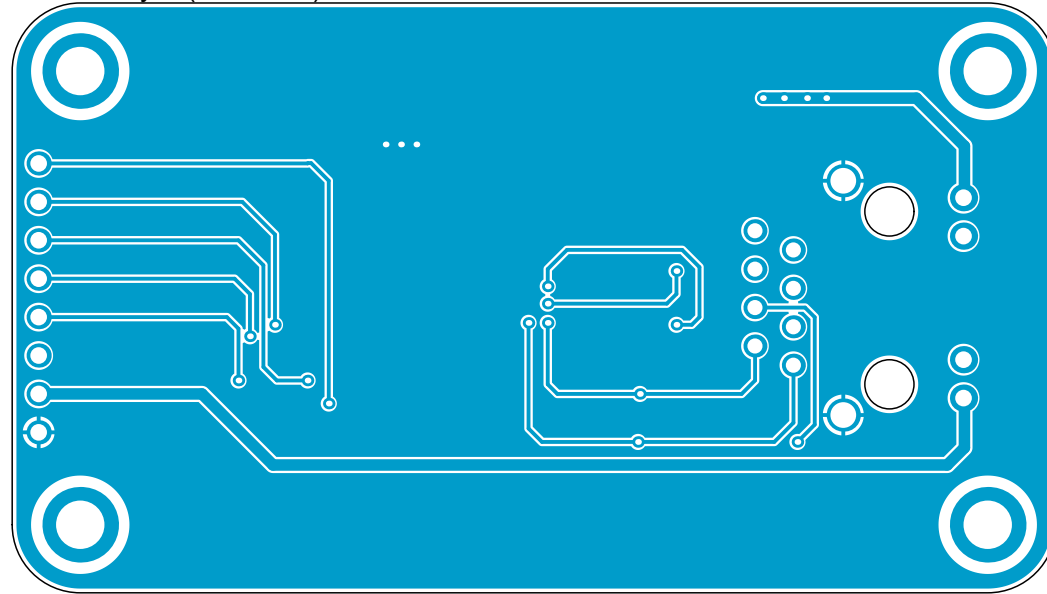
D

E

1

1

Bottom Layer (Scale 2:1)



2

2

3

3

4

4

A

B

C

D

E

A

B

C

D

E

1

1

2

2

3

3

4

4

A

B

C

D

E

Altium Designer Projects
www.altiumdesignerprojects.com