

1

2

3

4

A

A

B

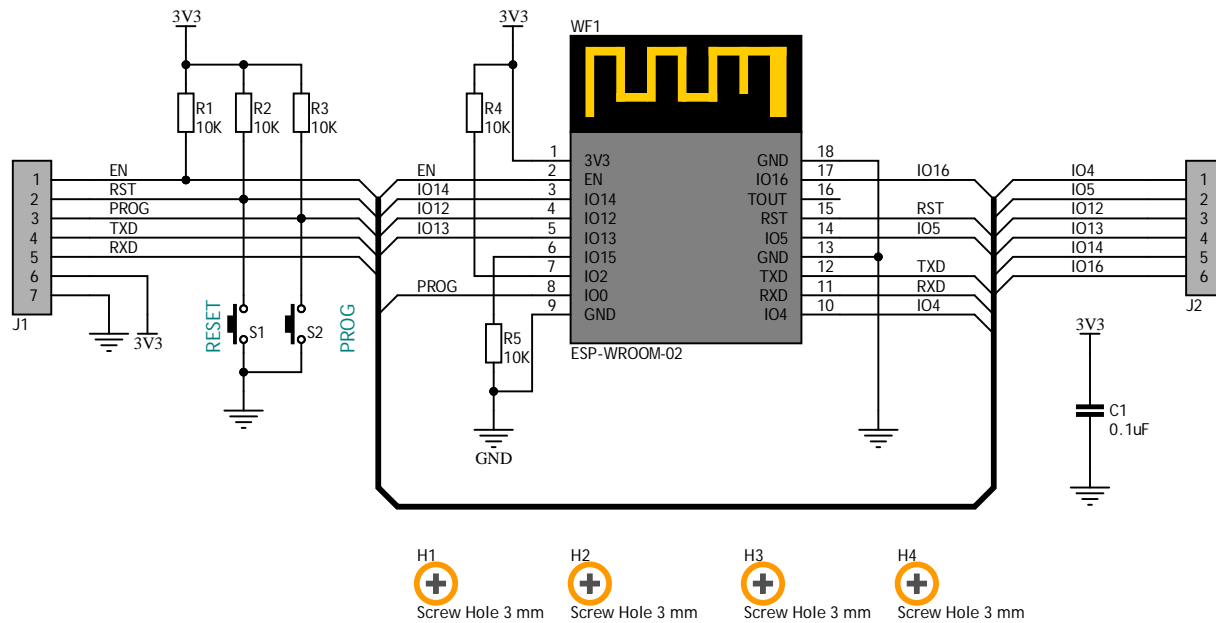
B

C

C

D

D



1

2

3

4

Digi-Key Part Number	Designator	Comment	Description	Footprint	Manufacturer Part Number	Manufacturer	Quantity
399-1168-1-ND	C1	0.1uF	Ceremic Capacitor 0805	CAP_0805	C0805C104K3RAC TU	KEMET	1
	J1	10 P	1 X 2.54 mm THT Pin Header	HDR-7-PIN			1
	J2	10 P	1 X 2.54 mm THT Pin Header	HDR-6-PIN			1
311-10KARCT-ND	R1, R2, R3, R4, R5	10K	10K	RES_0805	RC0805JR-0710KL	Yageo	5
	S1, S2	TL3305AF260QG	Button	TL3305AF260QG	TL3305AF260QG	E-Switch	2
	WF1	ESP-WROOM-02		ESP-WROOM-02			1